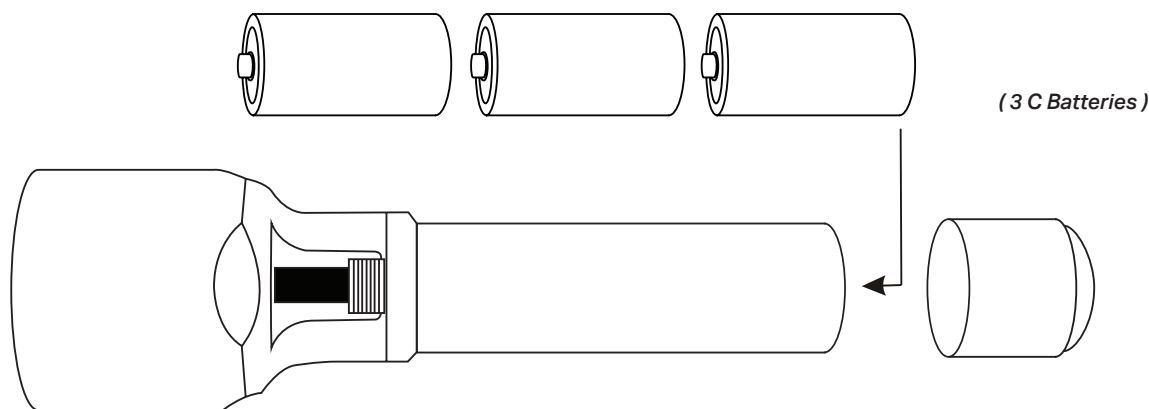


### Battery Installation



#### Instructions for Use

- Unscrew the rear cap.
- Insert 3 C size alkaline batteries with the positive "+" end facing the head of the flashlight.
- Inspect the o-rings to make sure that they are clean and free of any lint, hair or debris. Place a light film of silicone grease on the o-rings. This will make assembly / disassembly much easier.
- Carefully thread rear cap back on to the body being careful not to pinch or unseat o-rings.

#### Battery Precautions:

- Use only C size alkaline batteries
- Respect the correct polarity when installing the batteries. Reversed batteries may cause permanent damage to the light.
- Do not mix different types or different brands of batteries
- Do not mix old and new batteries. Always replace them as a set of 3.
- Do not dispose of batteries in fire.
- Remove batteries if light is to be left unused for an extended period of time.

#### Care and Maintenance

- After each dive, rinse your light thoroughly with clean, fresh water
- If you are going to open the light, dry with towel first.
- Keep all o-rings cleaned and lubricated with a light coating of silicone grease.
- Store light in a cool place, out of direct sunlight and away from heat sources.

#### Features

Power Source	CREE XM-L U2 10W
Output	From 40 lm to 1000 lm
Burn Time	High - 1hr. Low - 30hr
Battery	3x C alkaline
Switch	Slide switch
Beam Distance	787 ft (240 meters)
Beam Angle	5 degrees
Material	T6061-T6 Anodized Aluminum
Bulb Life	50,000 hour life
Impact Resistant	1 m
Depth Tested	328 ft. (100 m)
Length	9.1 in. (231 mm)
Head Diameter	2.3 in. (59 mm)
Body Diameter	1.3 in. (33.5 mm)
Weight (including battery)	1.2 lb. (549 g)

#### Notice:

The stated data has been measured according to the international flashlight testing standards in the laboratory. The data may vary with environmental conditions.

#### Warranty:

- Your XS Scuba light is covered by a full 12 month warranty.
- Within 14 days of purchase, if a fault occurs due to defect, the light will be replaced (proof of purchase required).
- After 14 days and within 12 months of purchase, your light will be repaired or replaced at the discretion of XS Scuba.
- Excluded is damage caused by incorrect battery insertion (reversed polarity), battery leakage, disassembly, modification or abuse.