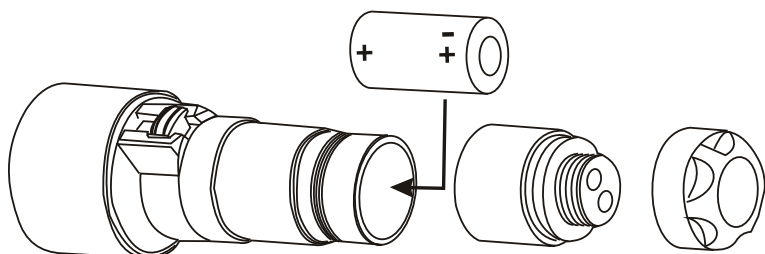
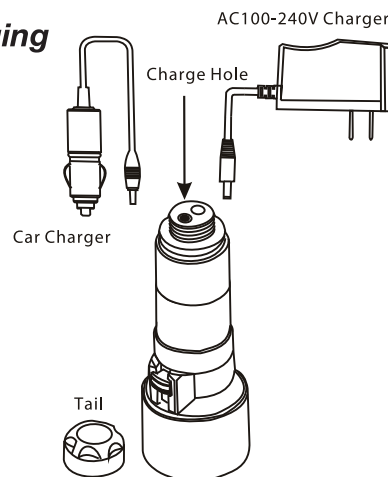


Battery Installation



Charging



Battery Installation

Insert 1 ea. 26650 4.2V Li-ion battery with the positive “+” end facing the flashlight head. Exercise caution to get the battery polarity correct.

Charging

- Unscrew and remove the rear cap of the light to expose the charging port
- Be sure to dry the port if there is any moisture present from the previous dive. This will prevent oxidation
- Plug the AC charging unit into an AC 100-240V, 50/60 Hz wall outlet or plug the car charger into a 12V port in car.
- Plug other end of charger into the charging port on the back of the light
- When the charge indicator is red, it means that it is charging. When the charge indicator turns green, it means that charging is complete.
- Remove from charger when fully charged
- Do not use light while it is charging
- Inspect the o-rings to make sure that they are clean and free of any lint, hair or debris. Place a light film of silicone grease on the o-rings. This will make removal / replacement of rear cap much easier.
- Carefully thread the rear cap back on to the body being careful not to pinch or unseat o-rings..

Care and Maintenance

- After each dive, rinse your light thoroughly with clean, fresh water
- If you are going to open the light, dry with towel first.
- Keep all o-rings cleaned and lubricated with a light coating of silicone grease.
- Store light in a cool place, out of direct sunlight and away from heat sources.

Features

Power Source	CREE 3 x XPG-R5
Output (variable)	From 50 lm to 1000 lm
Burn Time (range)	2.3 hour at full power 60 hours at low power
Battery	4000mAh 4.2V Li-ion Battery
Switch	Variable output magnetic slide switch
Beam Distance	190 meter / 623 feet
Beam Angle	20 degrees
Material	Aircraft Grade Aluminum Alloy
Impact Resistant	2 meter
Depth Tested	100 meters / 328 feet
Length	140mm
Head Diameter	51mm
Body Diameter	34mm
Weight	Weight 330g (including Battery)

Notice:

The stated data has been measured according to the international flashlight testing standards in the laboratory. The data may vary with environmental conditions.

Warranty:

- Your XS Scuba light is covered by a full 12 month warranty.
- Within 14 days of purchase, if a fault occurs due to defect, the light will be replaced (proof of purchase required).
- After 14 days and within 12 months of purchase, your light will be repaired or replaced at the discretion of XS Scuba.
- Excluded is damage caused by incorrect battery insertion (reversed polarity), battery leakage, disassembly, modification or abuse.